



*SPEC SHEET*

# Cashier Stand ADA



## Specifications

Top is 16 gauge 304 stainless steel #4 finish. Front and back edges are turned down 102° and turned back 90° eliminating the gap between the top and the base of the cabinet. The ends are turned down 90° flush with cabinet base, this eliminates any open space between G.A. Systems cabinets. The top is secured to the base with 4 stainless steel flush head screws. One 3/4" diameter pin is welded at one end of the top. The pin has two 5/16" diameter holes. The lower hole is used to join adjacent G.A. Systems cabinets.

Body of cabinet is fabricated of 1" square 18 gauge stainless steel and cold rolled tubing to form the top and bottom frames. Each is welded to 1-1/2" square 18 gauge stainless steel corner posts. Each corner post is capped. All joints are welded with all exposed welds being ground and polished. 20 gauge galvanized body panels are welded to tubing super structure.

Exterior front, back and one end are trimmed with 22 gauge stainless steel #4 finish trim to accept laminated color panels. Laminate is applied to 1/8" board for additional strength.

There is a 3-3/4" clearance from the bottom of the cabinet to the floor. Plate type 3" swivel non-marking casters with brakes. Cabinet heights are ADA compliant.

PROJECT: \_\_\_\_\_

ITEM #: \_\_\_\_\_

MODEL: \_\_\_\_\_

## Standard Features

- Locking pin, 1
- 1-3/4" grommet on top
- Plate type 3" swivel non-marking casters with brakes

## Options

- No Pin
- No Grommet
- Solid Surface Top (in lieu of stainless steel top)

## Accessories

- Tray Slide Stainless Steel 8-5/8" / C0108
- Tray Slide Stainless Steel 12" / C1017
- Tray Slide Stainless Steel 7" / C0294
- Tray Slide Solid Surface 8-5/8" / C0857
- Condiment Insert / C0139
- Toe Kicks
- Overshelf (stainless steel)
- Counter display Rack / C0392
- Premium High Pressure Laminate
- Graphics Panels Stand-offs
- Graphic Vinyl Decals



Condiment Top Insert  
Holds 4 - 1/4 Size Pan



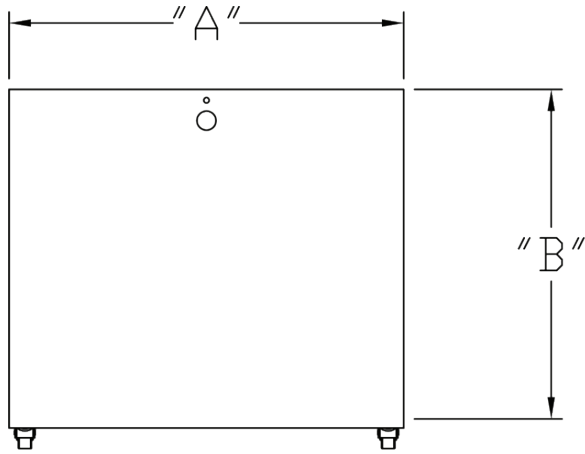
**Intertek**  
4003279

Conforms to NSF Std. #2

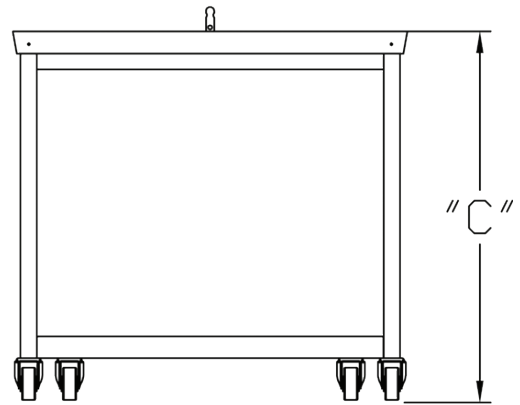
Rev 04/2019



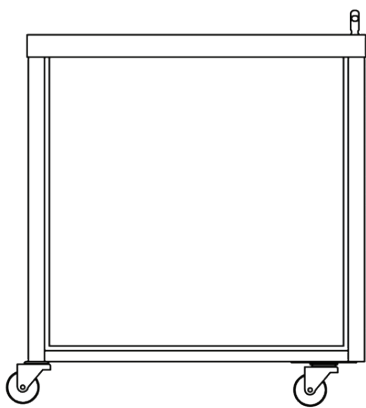
### Cashier Stand ADA



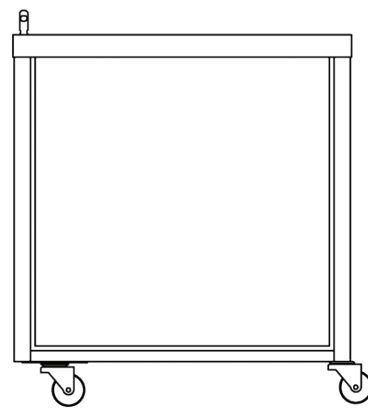
TOP VIEW



END VIEW



BACK VIEW



FRONT VIEW

### Dimensions

ITEM	MODEL	LENGTH	WIDTH	HEIGHT
C0180	D3136A	31-3/8"	36-3/8"	34"