



SPEC SHEET

# Glass Divider Screen



## Specifications

Glass Divider Screen provides an almost invisible barrier between the customer and the food preparation and serving counter areas.

The glass is held in place with stainless steel posts and hardware is mounted to the counter top.

The length is determined by the suffix LL after the model DS. "G" indicates that the divider screen is made of glass.

## NSF Standards

Vertical food shield shall provide a barrier to a minimum height of 30 inches (762 mm) above the counter top.

The maximum vertical distance between edge of a food shield and food display area shall be 6 inches (152 mm).

The minimum horizontal distance between the front inside edge of displayed food and the front (customer sided) face of the food shield shall be three-quarters of the vertical distance (0.75 x vertical distance).

PROJECT: \_\_\_\_\_

ITEM #: \_\_\_\_\_

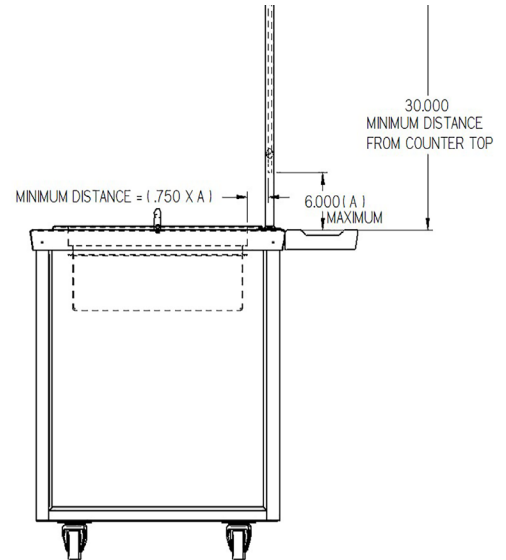
MODEL: \_\_\_\_\_

## Standard Features

- 1" round stainless steel tubing
- Top mount
- Stainless steel brushed finish
- Hardware included
- 3/8" thick tempered glass with polished edges
- \*\* 3/8" thick glass - maximum span 60"**

## Options

- Under mount
- Powder coated finish



ITEM	MODEL	LENGTH	WIDTH	H (Y)
C0589	DSXXG	LL"	1"	30"
C0599	DS36G	36"	1"	30"
C0593	DS62G	62"	1"	30"



Intertek  
4003279

Conforms to NSF Std. #2  
Patent Pending

Rev 04/2019