



SPEC SHEET

# Classroom Serv™ Ultra Pro



## Specifications

Classroom Serv™ Ultra Pro is constructed of 1-1/4" round stainless steel tubing and one serving counter with hygiene guard. The bottom shelf is 27-1/4" x 24", and the serving counter is 23-1/2" x 39-3/16". The serving counter is supported by 1-1/4" round stainless steel tubing. Includes a insulated food holding cabinet.

For transporting the hygiene guard folds down onto the serving counter and the serving counter folds up into the cart, as the serving counter leg folds under the serving counter.

The hygiene guard is made of 3/8" acrylic with a pass thru. The pass thru is 10" wide x 6" high.

The bottom is fully enclosed with Heavy Duty, Hi-Modulus Rubber Casters, 7" x 2", 2 front swivel with brake, 2 rigid in back.

ITEM	MODEL	WIDTH	DEPTH	HEIGHT
C1241	CSERVUP	32.18"	38.5"	74.75"

## Options

- Additional Serving Counter for Opposite Side
- Spirit Vinyl Banner

PROJECT: \_\_\_\_\_

ITEM #: \_\_\_\_\_

MODEL: \_\_\_\_\_

## Standard Features

- Bottom Fixed Shelf
- Serving Counter
- Hygiene Guard - Acrylic
- Stainless Steel Finish
- Heavy Duty, Hi-Modulus Rubber Casters
- Insulated food holding cabinet choose one

## Single Compartment

- PCULP Passive
- PCULH Electric Hot, 110v
- PCULC Electric Cold, 110v
- PCULH2 Electric Hot, 220v
- PCULC2 Electric Cold, 220v

## Dual Compartment

- PCUPP Top Passive, Bottom Passive
- PCUHH Electric, Top Hot, Bottom Hot, 110v
- PCUHH2 Electric, Top Hot, Bottom Hot, 220v
- PCUCC Electric, Top Cold, Bottom Cold, 110v
- PCUCC2 Electric, Top Cold, Bottom Cold, 220v
- PCUHC Electric, Top Hot, Bottom Cold, 110v
- PCUHC2 Electric, Top Hot, Bottom Cold, 220v
- PCUCH Electric, Top Cold, Bottom Hot, 110v
- PCUCH2 Electric, Top Cold, Bottom Hot, 220v
- PCUHP Electric, Top Hot, Bottom Passive, 110v
- PCUHP2 Electric, Top Hot, Bottom Passive, 220v
- PCUPC Electric, Top Passive, Bottom Cold, 110v
- PCUPC2 Electric, Top Passive, Bottom Cold, 220v

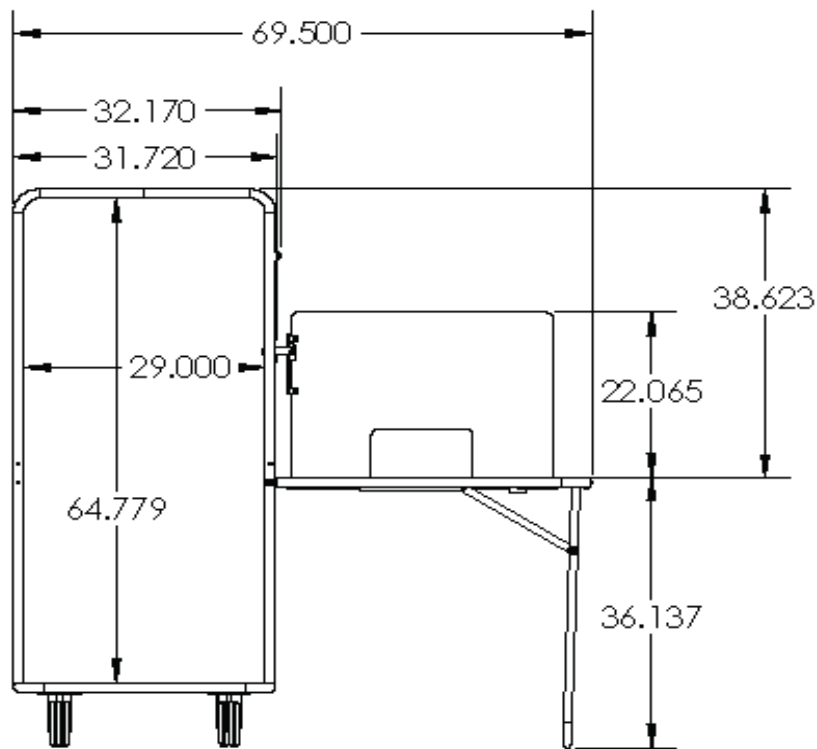
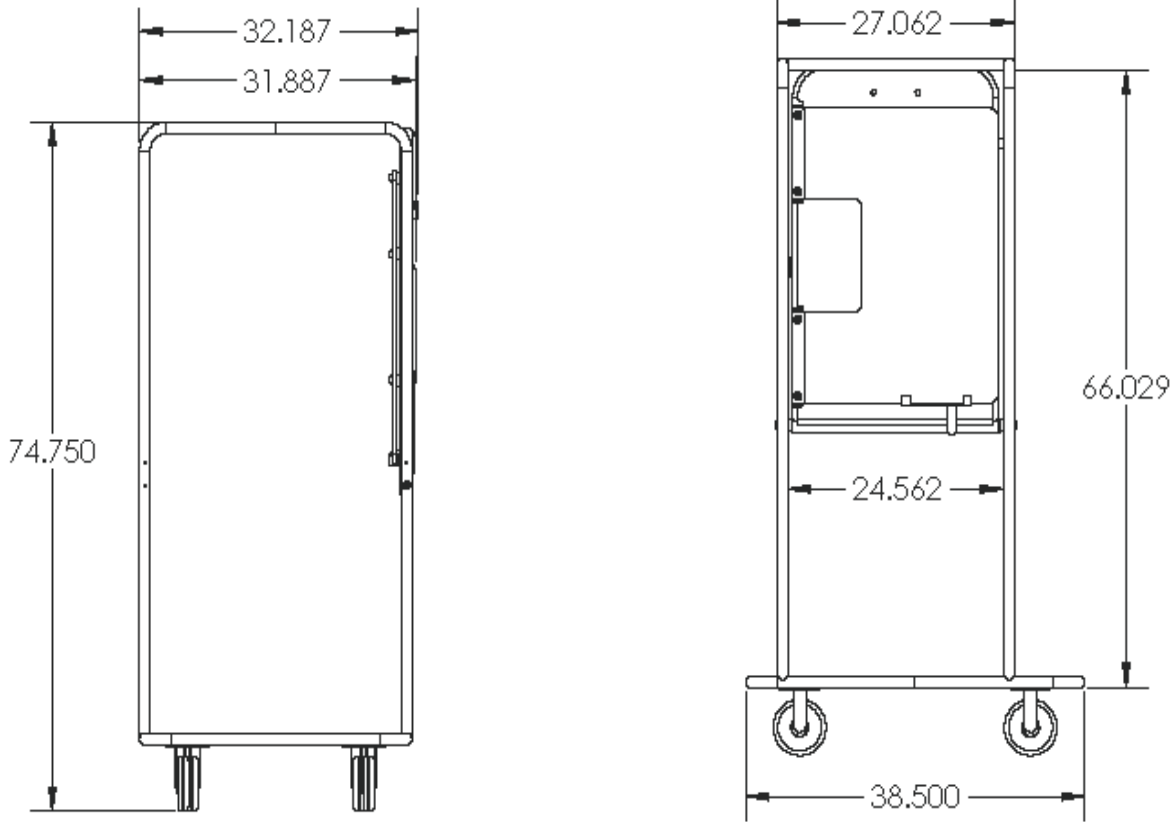


Trademark Applied

Rev 01/2021



# Classroom Serv™ Ultra Pro



Rev 01/2021