



SPEC SHEET

Classroom Serv™



Specifications

Classroom Serv™ is constructed of 1-1/4" round stainless steel tubing and has two shelves and one serving counter with hygiene guard. The two shelves and serving counter are 18 gauge stainless steel. The bottom shelf is 27-1/4" x 24", the top shelf is 27-1/4" x 21-1/2" and the serving counter is 23-1/2" x 39-3/16". The serving counter is supported by 1-1/4" round stainless steel tubing.

For transporting the hygiene guard folds down onto the serving counter and the serving counter folds up into the cart, as the serving counter leg folds under the serving counter.

The hygiene guard is made of 3/8" acrylic with a pass thru. The pass thru is 10" wide x 6" high.

The bottom is fully enclosed with 5" swivel non-marking casters with brakes.

ITEM	MODEL	WIDTH	DEPTH	HEIGHT
C1240	CSERV	24.68"	33.25"	73.34"

Scan to watch a video.



PROJECT: _____

ITEM #: _____

MODEL: _____

Standard Features

- Bottom Fixed Shelf
- One Removeable Shelf
- Serving Counter
- Hygiene Guard - Acrylic
- Two Hold Down Straps
- 5" Swivel Non-Marking Casters with Brakes
- Stainless Steel Finish

Options

- Additional Serving Counter for Opposite Side
- Spirit Vinyl Banner

Accommodates

- Insulated Carriers
- Ice Chest Coolers
- Insulated Bags
- Wire Stacking Baskets

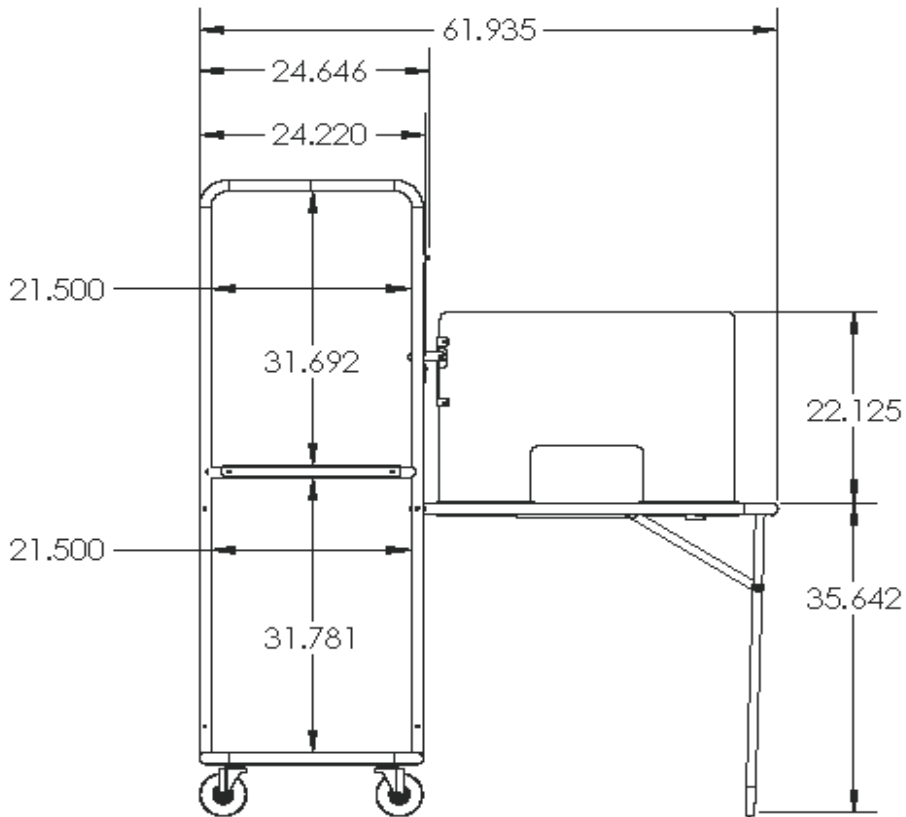
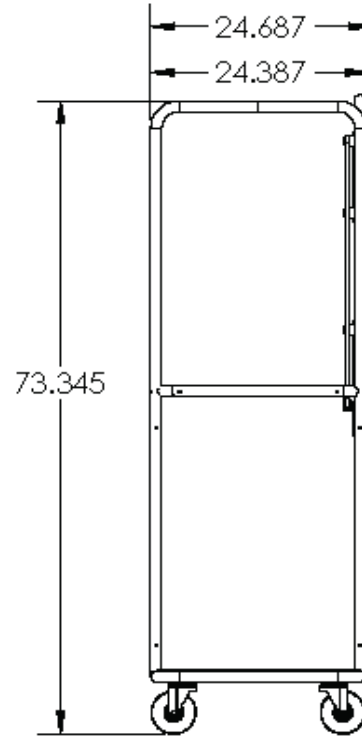
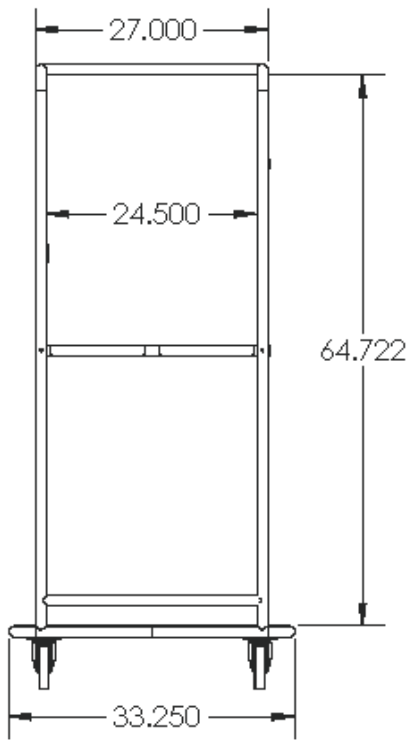


Trademark Applied

Rev 01/2021



Classroom Serv™



Rev 01/2021